

Installation Instructions

安裝說明書

FRONT TRACK BAR RELOCATION BRACKET

前橫連桿墊高座

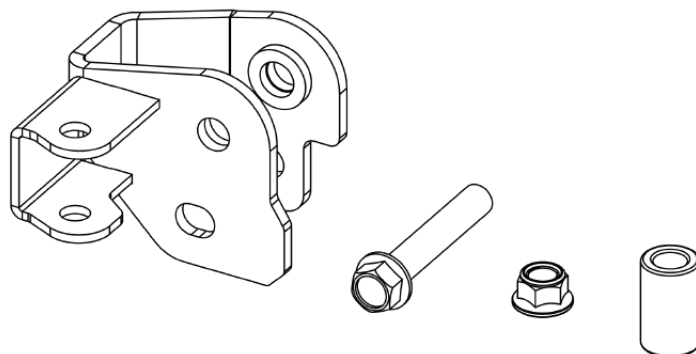
#Q0539

Application 適用車型

JEEP WRANGLER JL
JEEP GLADIATOR JT
(*LHD models only 僅適用左駕車型)

Components 內含配件

- ① Relocation bracket 加高座.....1pcs
- ② Spacer 套管 (25x14.7x41).....1pcs
- ③ Bolt 螺絲 (M14x1.5x80).....2pcs
- ④ Nut 螺帽 (M14x1.5--19x15).....2pcs

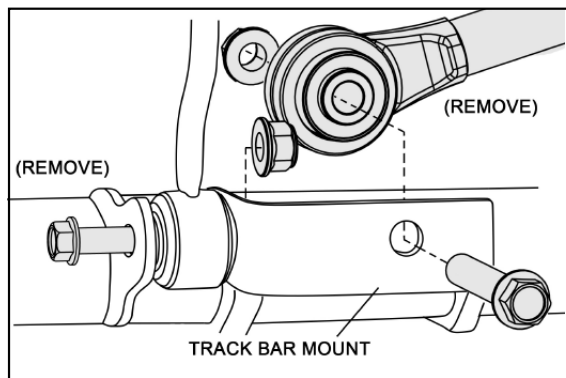


Caution 注意事項

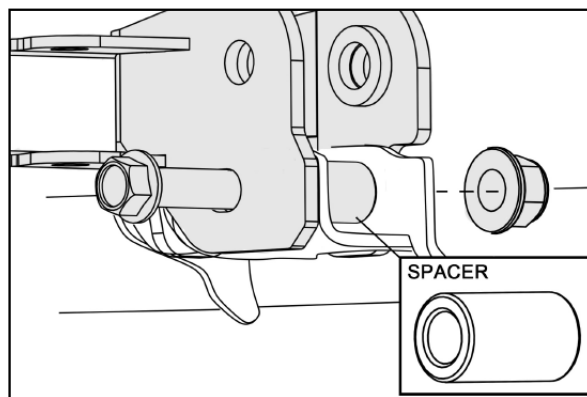
- Installation is recommended to be performed by licensed mechanics with necessary tools to ensure safety. Incorrect installation may cause injury, damage to the product or vehicle. 安裝建議由合格的技師及工具執行以確保安全。安裝錯誤可能對人員、產品及車輛造成傷害。
- Note the routing of wires and cables before installation, or please refer to factory manual. 安裝前請事先記下線路的安裝路徑及位置以維持原廠配置。有疑問時請參考原廠手冊。
- Tighten bolts and nuts firmly by using handtools, and with specified torque if mentioned. 安裝過程請使用手動工具確實鎖緊螺帽及螺絲。如有特別註明請依照說明指示的扭力上鎖。

Instructions 安裝說明

1. Loosen the frame side track bar bolt.
鬆開橫連桿車身端的螺絲。
2. Remove the axle side track bar bolt to disconnect the bar from axle.
拆下橫連桿輪軸端的螺絲後將連桿卸下。
3. Remove the factory RH side sway bar end link bolt and flagged nut.
拆下右側防傾桿連接桿(李仔串)的螺絲及螺帽。



4. Place the relocation bracket onto the original track bar mount.
將墊高座支架安裝至原鎖點上。
5. Install supplied spacer to the hole where the track bar was originally located on using supplied M14 bolt and nut.
使用附件M14 螺絲及螺帽，將附件套管安裝至原本橫連桿的鎖孔。



6. Reinstall the sway bar end link bolt and flagged nut.
使用原本的螺絲及螺帽安裝防傾桿連接桿(李仔串)。
7. Install track bar onto the bracket using supplied M14 bolt and nut.
使用附件M14 螺絲及螺帽，將橫連桿安裝至新的鎖孔。
8. With suspension loaded, tighten the frame side track bar bolts.
於車輛著地且懸吊有負重狀態下將橫連桿車身端螺絲鎖緊。

